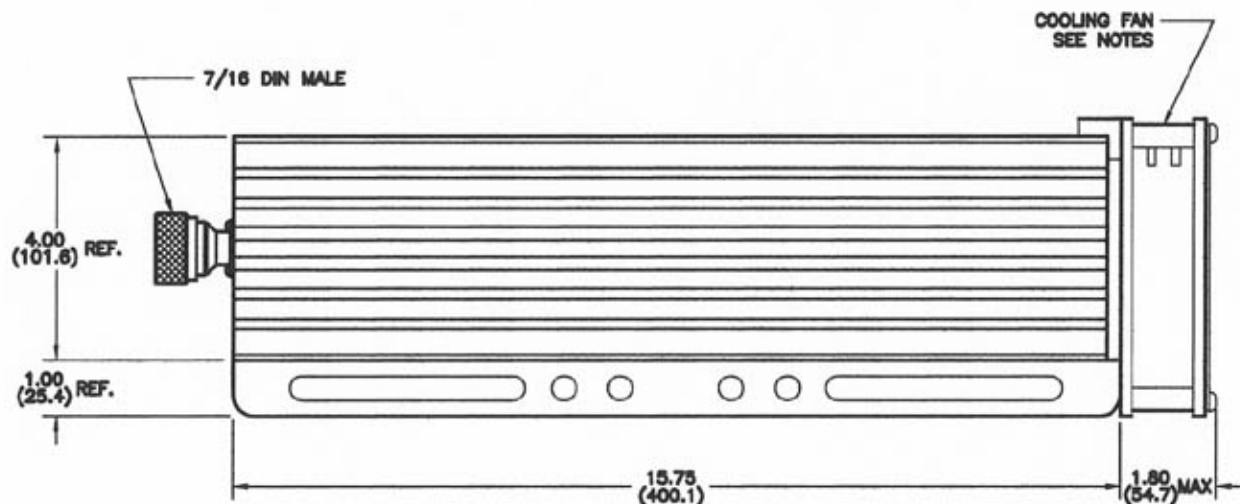
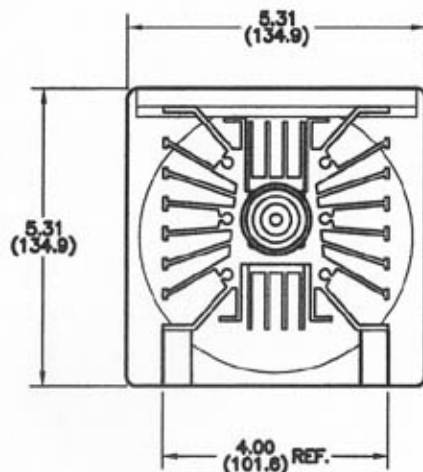


REVISIONS				
REV. NO.	DESCRIPTION	DATE	BY	ECO



## SPECIFICATIONS

FREQUENCY RANGE - DC TO 2.4 GHz

IMPEDANCE - 50 OHMS

VSWR (1.0 GHz) - 1.20:1 MAX.

(2.4 GHz) - 1.30:1 MAX.

INPUT POWER (AVG.) - 1000 WATTS

(PEAK) - 2000 WATTS

OPERATING TEMPERATURE - -55°C TO +125°C

CONNECTOR - 7/16 DIN MALE

COOLING: 159 C.F.M. FORCED AIR FAN COOLED

115 V. - 50/60 Hz. OR

230 V. - 50/60 Hz. AS REQUIRED

DIMENSIONS: INCHES  
(MILLIMETERS)

ITEM	PART NUMBER	DESCRIPTION	QTY.
ASSEMBLY LIST			
<b>TERMINATION, 1000 WATT MODEL 61000D7</b>			
SIGNATURES		DATE	
DR	G.V. Carlson	3-21-68	
CHK			
APPD			
APPV			
DRAWING NO.		SIZE	QUANTITY
60674 D		111	900748
DRAWING SCALE		1:1	SHEET 1 OF 1